

TECHNICAL SPECIFICATIONS	VALUE
Product code:	bePRO (art. 771-00) measures left and right pedal power bePRO S (art. 771-10) measures left pedal power
Radio protocol:	ANT+™, frequency 2.4 GHz
Parameters:	instant power (watt), instantaneous cadence (rpm), L/R Balance (%), torque efficiency (TE) 1, pedal stroke uniformity (PS) 1
Minimum and maximum power:	0 - 2000 W
L/R Balance:	0-100%
Minimum - maximum cadence:	30-180 rpm
Power measurement accuracy:	± 2%
Measurement technology:	strain gauges
Sampling frequency:	max 200Hz (5ms)
Cadence sensor:	internal
Internal battery:	Lithium battery, rechargeable, 30-hour operating time
Q factor:	54mm (minimum)
Total weight for pedal with sensor:	156 g
Sensor weight:	16 g
Pedal weight:	140 g
Material of pedal pin:	15CrMo5
Material of electronic parts container:	PETG injection molded
Electronic parts filler:	two-component epoxy resin
M16 nut material:	AISI 630 h900 steel
Body pedal material:	NEP injection molded
Thread:	9/16"-20 tpi
Tightening torque:	35-40 Nm
Bearings:	no.3 sealed cartridges
Minimal and maximal operating temperature:	-10°C +60°C
Max. weight of the cyclist:	120 Kg
Water resistance:	IPX7
Battery charger:	input 100-240 V, 50/60 Hz, 85 mA output 2xUSB 5V 1,0A
Certifications:	CE, RoHS, ANT+
Reference standards:	EN14038, EN60950
Compatible cleats:	Look Keo 2
Guarantee:	2 year

Notes:

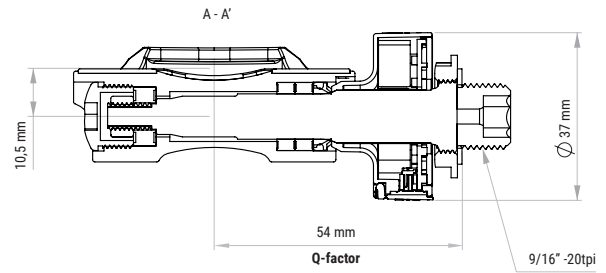
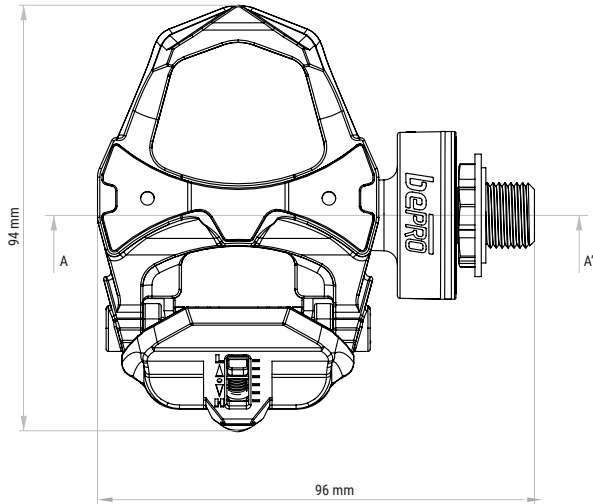
1) Not available in bePRO S version

2) The LOOK and Keo trademarks belong to LOOK Cycle International.



bePRO DIMENSIONS - PEDAL WITH SENSOR

Scale 1:1



ASSEMBLY DRAWING

Nb.: Lubricate the axle by using lithium grease

Hex nut M16 and washer	Art. 771-70
------------------------	-------------

Hex nut M16:
• tightening torque: 35-40Nm

bePRO sensor on left axle	Art. 771-90
bePRO sensor on right axle	Art. 771-91

Left body pedal	Art. 771-60
Right body pedal	Art. 771-65

Micro-USB cup	Art. 771-74
---------------	-------------

Bearings, hex nut M6, oil-seal, endcap	Art. 771-72
--	-------------

Hex nut M6:
• tightening torque: 8-10Nm
• tighten the lock nut clockwise for left pedal
• tighten the lock nut counter-clockwise for right pedal

Endcap:
• tighten endcup clockwise for both pedals

Use 9mm (CH9) socket wrench with max external Ø13

Washer
Hex nut M16 (35-40 Nm)

Oil-seal
Bearings 10/15

Bearing 6/13
Hex nut M6 (8-10 Nm)
Endcap (2-2,5 Nm)

